

**STEIGER®**  
**TBR 230**





# STEIGER® TBR 230

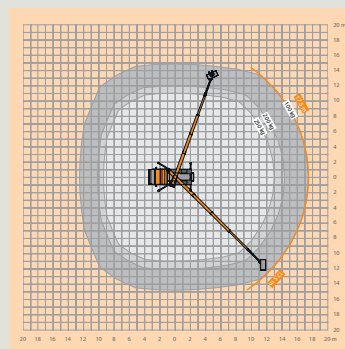
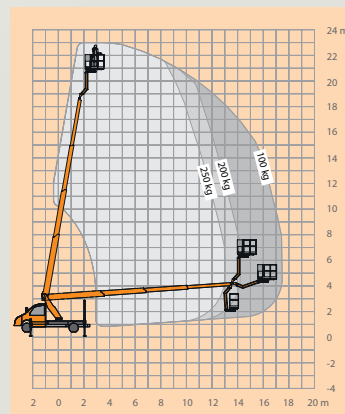
## FEATURES



- 23m max. working height
- 17.5m max. outreach
- 14.8m max. lateral outreach
- 250kg basket-load
- 4 movements simultaneously possible (lift, rotate, telescope, Rüssel up/down) + basket rotation
- Mobile jib boom (RÜSSEL®), rotation 185°
- Improved work speed
- Premium technology in highest stability with easy handling
- High-strength fine-grained steel for maximum stability
- Improved basket unit with new design
- Common parts to other STEIGER® models for even more operating and maintenance efficiency
- Reduced stock of spare parts through modular design
- Improved torsion-resistant substructure construction
- Boom system with laser-welded seam (less distortion, more precise and more stable)

The STEIGER® TBR 230 features an enormous 23m working height and 17.5m outreach at 250kg basket-load capacity.

In use, operators will additionally benefit from the following: Four simultaneous movements are now possible on the new models. Lifting, swiveling, telescoping, jib (RÜSSEL®) up / down movements, and additional basket rotations can all be controlled from inside the work basket. The basket rotation works electro-hydraulically, responding quickly and smoothly thanks to the worm-gear drive mechanism. Premium steel construction and a new base-frame and basket console design greatly enhance performance and stability at the job site.

The TBR STEIGER® models are so popular because of their moveable jibs (RÜSSEL®). The jib design provides a basket rotation angle of 185°. Models in this series are perfect for a wide variety of tasks and for accessing those hard-to-reach places.



|   |   |   |  |  |
|---|---|---|--|--|
| <br>23m            | <br>17.5m  | <br>2 x 225° | <br>185°  | <br>5°      |
| <br>1.40m x 0.70m | <br>250kg | <br>3m      | <br>7.8m | <br>3500kg |

**working height** 23m  
**maximum outreach** 17.5m  
**platform capacity** 250kg



Worm-drive basket



Chassis outrigger controls



Display in work basket



Worm-drive turret



Perforated, non-slip floor