

STEIGER®
T 700 HF



STEIGER® T 700 HF

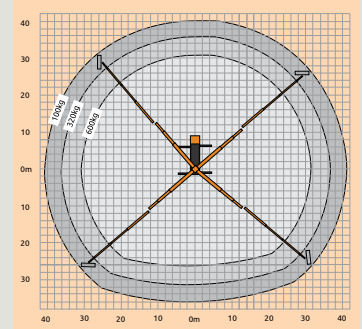
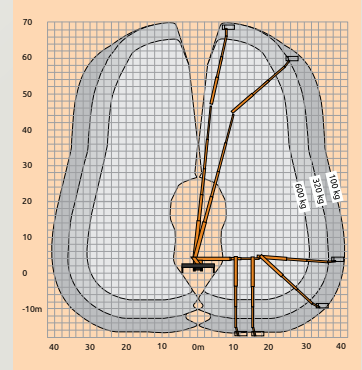
FEATURES

- 70m working height
- 41m outreach, 24.6m upper boom outreach
- 11.99m total vehicle length: Perfect handling through a compact design, for tight manoeuvring e.g. in city traffic
- Top performance data due to multi-bevelled boom technology
- Highflex jib (RÜSSEL®) – 220° swiveling range
- Highflex work basket – 440° rotation angle
- ‘Standing’ working basket perfect for ‘under and up’ as well as all possibilities of ‘up and over and back’ during lowered RÜSSEL®
- Generous 600 kg working cage load capacity
- Working below ground possible
- More possibilities with the special features HEIGHT performance
- Automatic set-up/ retraction mechanism at the push of a button
- Aluminium working cage can be extended hydraulically
- Maintenance-friendly boom system

With the new STEIGER® T 700 HF, RUTHMANN present a further highlight of German engineering. For the first time at RUTHMANN, the compact machine achieves a working height of 70m and an outstanding outreach of 41m on a carrier chassis less than 12m long.

This development fulfils the market requirement for a compact machine of 70m with a high lateral outreach for the confined working space. Through the new long triple upper boom, the Up&Over outreach is increased by further 3.5m in comparison to the T 650 HF. In transport position, the machine is again very compact.

Due to the 1.7m higher articulation point and the now 24.6m long upper boom, operations can be carried out in narrow house canyons, e.g. at the rear of buildings which were previously very difficult to achieve in this height class.



working height 70m
maximum outreach 41m
platform capacity 600kg



Ideal for “under and up”



More flexibility



Perfect handling



The STEIGER® T 700 HF

Ruthmann

1 Altendiez Way, Latimer Park, Burton Latimer, Kettering. NN15 5YT
 T: 01536 721010 E: sales@ruthmann.uk www.ruthmann.uk