

STEIGER®
T 330 XS

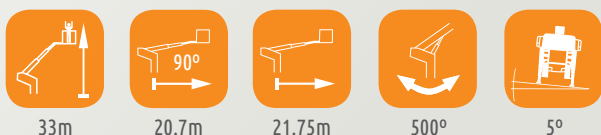
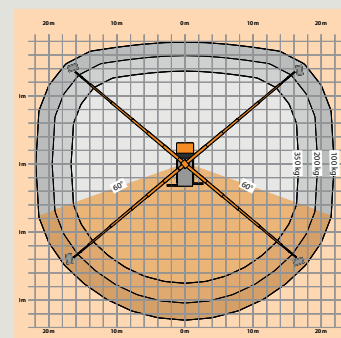
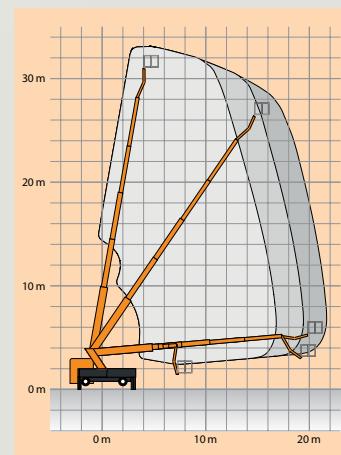


STEIGER® T 330 XS



FEATURES

- 33m working height
- 21.75m outreach
- 8.43m extra short vehicle length
- Stable turret construction (less maintenance)
- Modern design with high stability and safety
- Proven chassis with EURO 6 to choose from
- Shorter, stable base frame construction
- Jack boxes and turret tube made of high-strength fine-grained steel, for better performance data and increased torsion resistance (longevity)
- Extension of the booms by means of two telescopic cylinders
- Comfortable and easy to handle jack control on both vehicle sides (continuation from the successful TB / TBR range)
- New boom profile based on the T 900 HF boom system
- An optimised boom support profile ensures for a more stable boom design
- Low weight combined with highest stability
- Increased basket-load: 350kg in combination with huge outreach
- Robust, hydraulic 2 x 90° basket rotating device
- Available on Mercedes, Iveco and MAN chassis



working height **33m**
 maximum outreach **21.75m**
 platform capacity **350kg**



Easy to handle jack control



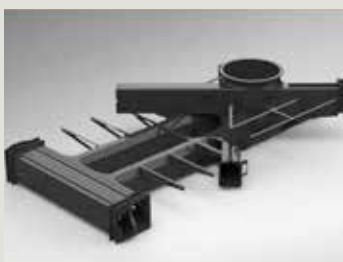
Jack boxes and turret tube made of high-strength fine-grained steel



More compact boom heads



Sufficient weight reserves e.g. for boxes and sidewall



Shorter, stable base frame construction



Construction according to the latest topology optimization method in geometric form



Compatible with other working baskets of the previous T range

Revision: 03/2022

Technical information is subject to change without notice. Images may show optional equipment. *Subject to options fitted. The photographs in this brochure are for promotional purposes only. Specifications are subject to change without notice.

Ruthmann
 1 Altendiez Way, Latimer Park, Burton Latimer, Kettering, NN15 5YT
 T: 01536 721010 E: sales@ruthmann.uk www.ruthmann.uk