

VERSALIFT

VTL-135-F

Van mounted telescopic platform



Iveco Daily 35S
(3,500kg GVW)



LMC controls with
variable outreach



Emergency lowering
controls in pedestal



Knuckle/turret tail swing
within the mirrors



Outriggers within
the mirrors



Versalift United Kingdom Limited
1 Altendiez Way, Latimer Park,
Burton Latimer, Kettering, NN15 5YT

T: 01536 721010
E: sales@versalift.co.uk

F: 01536 721111
W: www.versalift.co.uk

Versalift Ireland
Suite 22, Osprey Business Centre, Devoy Quarter,
Naas, Co. Kildare, W91 X40K, Ireland

T: +353 85 8563034
E: sales@versalift.ie W: www.versalift.ie

VERSALIFT VTL-135-F

Additional Specifications



Dimensions



Length: 6,995cm

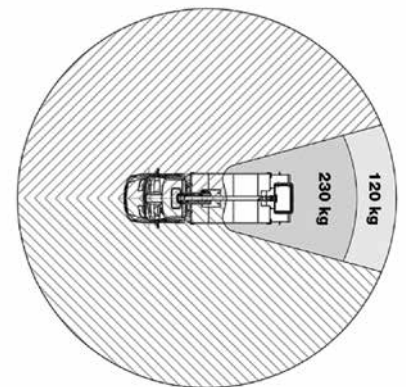
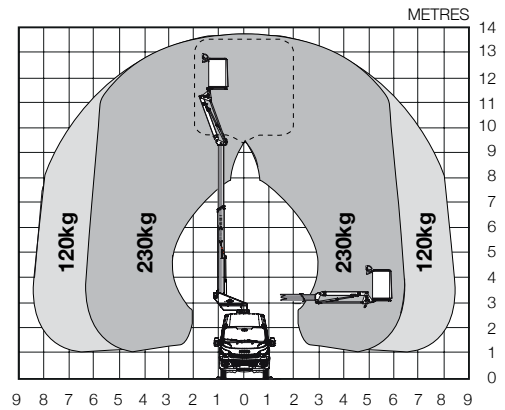
Height: 3,470cm

Wheelbase: 3,520cm

Optional equipment

- Bespoke storage racking
- Twin joystick LMC control system with LCD interface screen
- Walk-in or Duck-under bucket
- 1kV certified insulation
- Chapter 8 compliance
- Stabiliser controls from bucket
- Slew rotation interlock
- Reversing camera
- Bucket rotator (2 x 90°)***
- Limited working area without outriggers

Diagrams



Limited working area without outriggers (optional)

Key features



Manufactured from ultra-high strength steel, a profiled boom delivers exceptional rigidity, strength and smooth platform operation. For low maintenance, integrated boom wear pads now follow this profile.



Pedestal mounted emergency lowering valves, located at ground level within load area are safe and easy to access.



Impressive outreach with LMC load sensing system. A-frame outriggers and tail swing of turret within the mirrors of the vehicle for improved safety.



Optional twin joystick LMC control system enables load dependent variable outreach and up to two actions simultaneously.

Notes

Technical information is subject to change without notice. Images may show optional equipment.

*Depending on the vehicle and subject to options fitted

**Max. payload after driver, passenger and fuel and subject to options fitted

***Reduced outreach

Revision: 10/2020



Versalift United Kingdom Limited
1 Altendiez Way, Latimer Park,
Burton Latimer, Kettering, NN15 5YT

T: 01536 721010
E: sales@versalift.co.uk

F: 01536 721111
W: www.versalift.co.uk

Versalift Ireland

Suite 22, Osprey Business Centre, Devoy Quarter,
Naas, Co. Kildare, W91 X40K, Ireland

T: +353 85 8563034
E: sales@versalift.ie W: www.versalift.ie