

# VERSALIFT

## VTA135-H

Low voltage pick-up mounted platform

NATIONAL  
SMALL SERIES  
APPROVED

ISUZU  
AUTHORISED  
CONVERTER



Isuzu D-Max



3.5T GVW



Articulated  
boom



Fully hydraulic  
controls



A-Frame  
outriggers



Walk-in  
bucket



On & off  
road



Euro 6  
compliance

# VERSALIFT VTA135-H

## Specifications

	3.5T GVW Isuzu D-Max
Working height	13.6m
Platform height	11.6m
Maximum outreach	6.4m
Maximum bucket capacity	240kg
GVW	3500kg
Maximum slope	3°/5°

## Key features



Manufactured from ultra-high strength steel, the Versalift profiled boom delivers exceptional rigidity and smooth operation on this low travel height platform.



Hydraulic 12V DC emergency ground controls and emergency hand pump all located within a separate compartment to maximise bed space



Safe access to bucket when in dock or from ground



Zero tail swing on knuckle

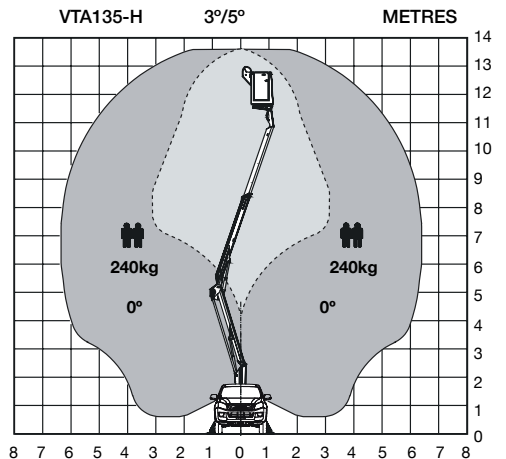
## Standard equipment

- Lightweight profiled boom, manufactured from ultra-high strength steel
- Fully hydraulic proportional control
- Double A-frame outriggers to front and rear
- 240kg SWL plastic walk-in bucket
- Zero tail-swing on knuckle
- Access to bucket when in dock or from ground
- 1kV certified insulation
- 12V DC emergency lowering system
- Emergency manual hand pump
- Low travel height <2.6m
- On and off road
- Towing capability
- Euro 6 compliance
- National Small Series Type Approved (NSSTA) allowing fast delivery
- Two year warranty

## Optional equipment

- Duck under bucket
- LED lights
- Lockers – number of options to utilise the available space
- Reverse camera
- Run lock
- Chevrons
- Versalift Repair & Maintenance packages

## Diagrams



Working envelope at 240kg bucket SWL



Double A-frame outriggers front and rear for compact setup



Easy to use fully hydraulic proportional control

Technical information is subject to change without notice. Images may show optional equipment. \*Subject to options fitted. The photographs in this brochure are for promotional purposes only. Specifications are subject to change without notice.

Revision: 03/2022



**Versalift United Kingdom Limited**

1 Altendiez Way, Latimer Park,  
Burton Latimer, Kettering. NN15 5YT

T: 01536 721010 E: sales@versalift.co.uk

W: www.versalift.co.uk